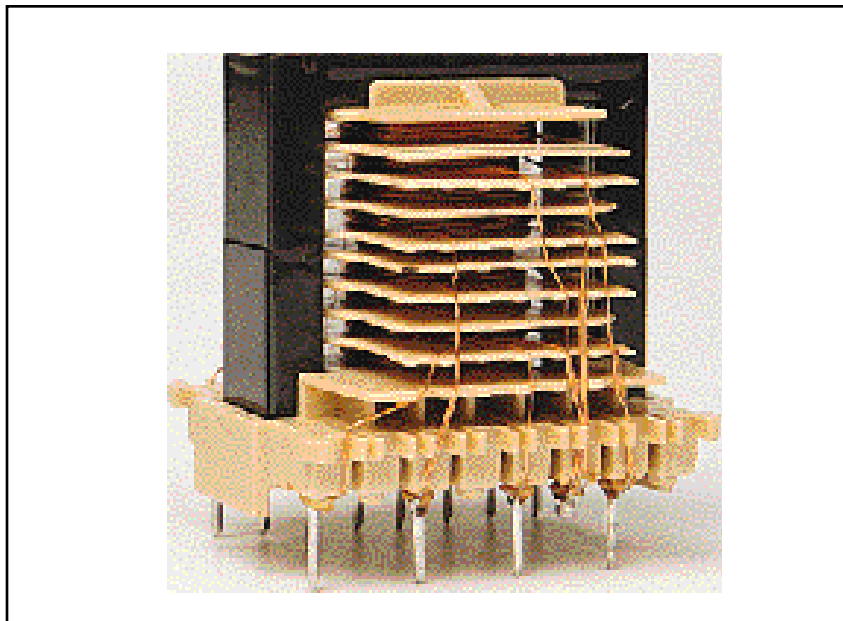


# SLOT-TYPE TRANSFORMER



# SLOT-TYPE TRANSFORMER

In order to achieve low cost, high quality, and quick delivery, we used a common SMPS TRANSFORMER for the electric home appliances with high winding technicque.

## ● Applications

- SMPS transformer in monitor
- Aircon inverter transformer
- SMPS transformer in TV, VCR, etc.

## ● Features

### 1. Structure

The difference of structure between the former layer type transformer and the slot-type transformer is shown in fig. 1 and fig. 2.

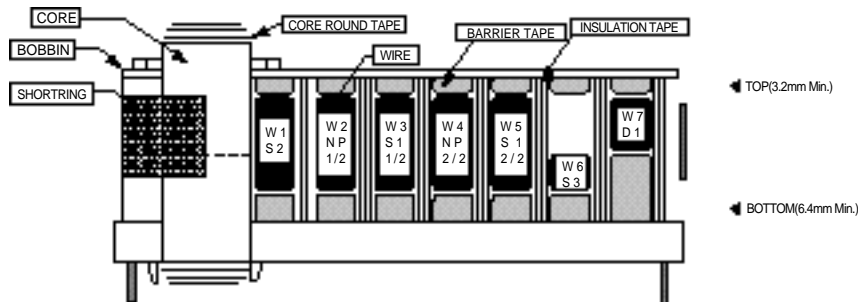
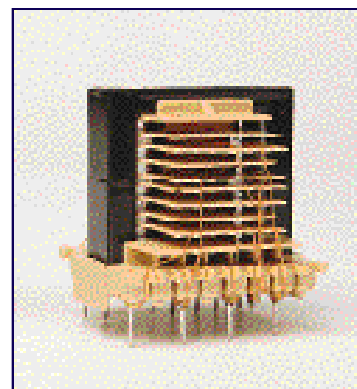
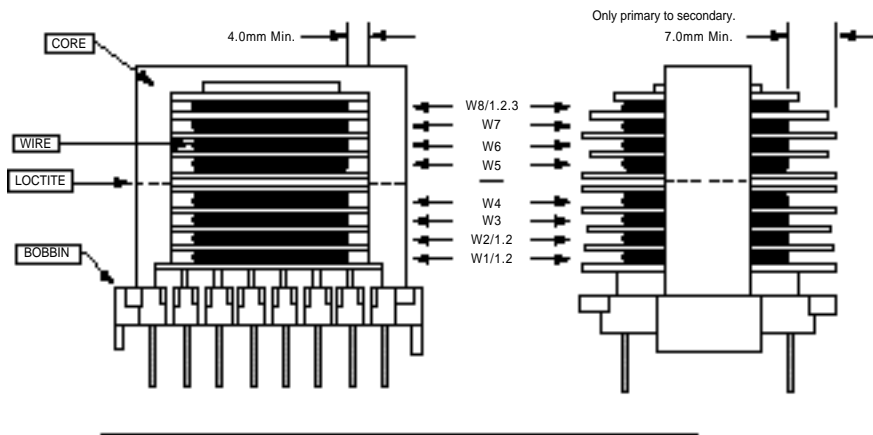
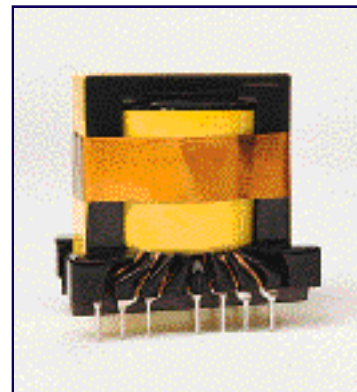
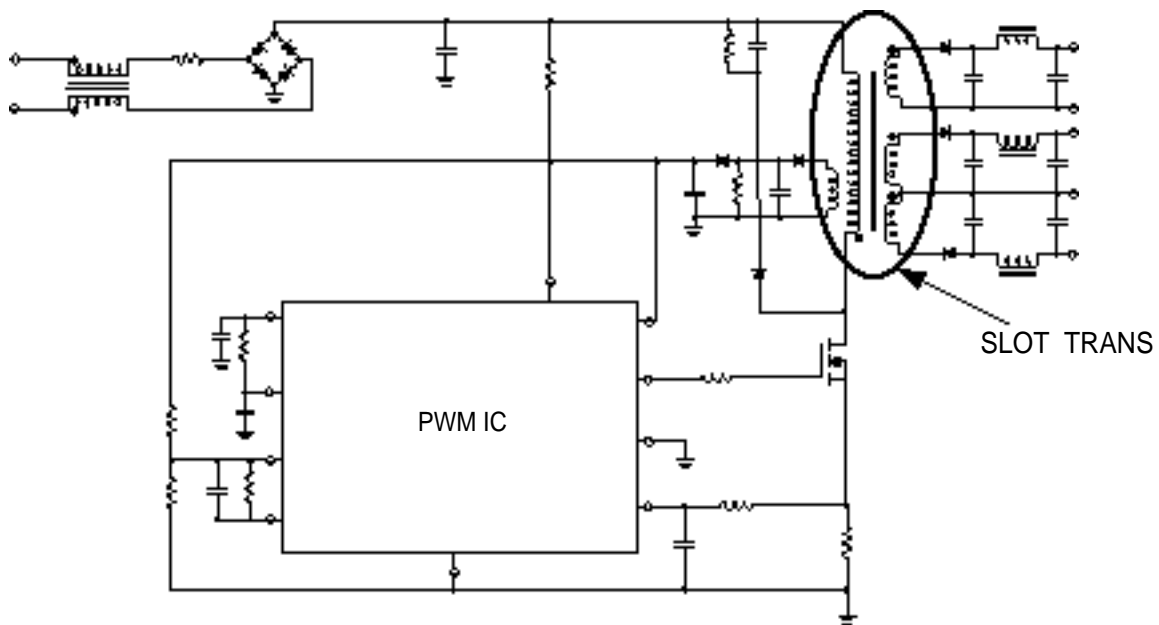


fig. 1. Internal structure of layer type transformer



# SLOT-TYPE TRANSFORMER

2. Slot-type transformer have a high coefficient of heat diffusion.  
( about  $15^{\circ}\text{C}$  lower compared to the former layer type transformers )
3. Line and load regulation are excellent compared to layer type transformers.
4. Low cost, high quality, and quick delivery are achieved through automation of all processes.
5. Production cost is very low compared to overseas processing cost thanks to the simplicity of required materials and processes, and high productivity.
6. Application circuit example.





**SAMWHA TECOM CO.,LTD.**

Main products : transformers, coils

**HEAD OFFICE & YONG-IN FACTORY**

566-1 MAENG-RI, WONSAM-MYUN, YONGIN-CITY,  
KYUNGGI-DO, KOREA.  
TEL:0335)34-9631  
FAX:0335)32-8122

**SEOUL OFFICE**

6TH FLOOR, SAMWHA BLDG.,60-9 NONHYUN-DONG,  
KANGNAM-GU, SEOUL,KOREA.  
TEL:02)517-9011  
FAX:02)517-9016

**INDONESIA OFFICE**

ARTHAGRAHA, BUILDING, Lt.21, Kav52-53,  
JL.JENDRAL, SUDIRMAN,  
JAKARTA, SELATAN-INDONESIA.  
TEL:021)515-2881  
FAX:021)515-2880

**SAMWHA U.S.A.,INC.**

9330 ETON AVE. CHATSWORTH,CALIF,91311,U.S.A.  
TEL:818)727-0512  
FAX:818)727-0700



**SAMWHA CAPACITOR CO.,LTD.**

124,BUK-RI,NAMSA-MYUN,YONGIN-CITY,  
KYUNGGI-DO,KOREA.  
TEL:02)545-5600  
FAX:02)546-5236  
Main products : chip & power capacitor,  
ceramic capacitor



**SAMWHA ELECTRIC CO.,LTD.**

92 BOKDE-DONG,CHEONGJU-CITY,  
CHUNGCHEONGBUK-DO,KOREA.  
TEL:02)544-9111  
FAX:02)546-0440  
Main products : electrolytic capacitor &  
film capacitor.



**SAMWHA ELECTRONIC CO.,LTD.**

211-1,JANGJI-RI, DONG TAN-MYUN,  
HWASUNG-GUN,KYUNGGI-DO,KOREA.  
TEL:02)546-0999  
FAX:02)456-7354  
Main products : ferrite cores