

Common-mode Choke Coils (Ring Type)

Features

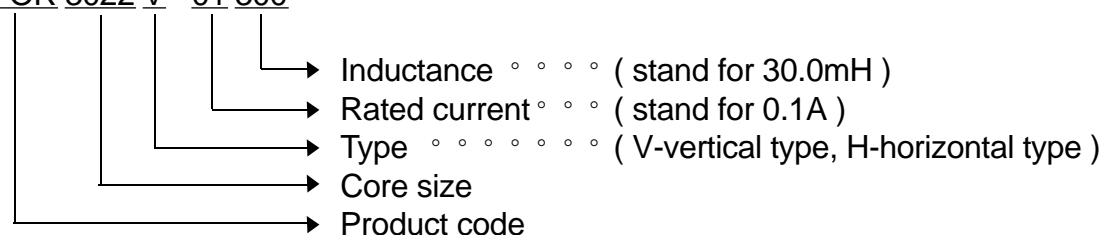
- Excellent frequency characteristics.
- Small temperature rise, no influence on neighboring devices.
- Compact, light weight with small toroidal core housed in insulation case.
- Fixed terminal for easy PC board mounting and excellent vibration resistance.
- Compact and light weight.

Application

- Noise suppression of DC circuit of switching regulator.
- Eliminates noise emission of ultrasonic equipment.
- For switching power supplies and equipment using microcomputers.
- Color TVs, VCRs, Audio equipment, OA equipment, etc.
- Sequence controllers.

Classification

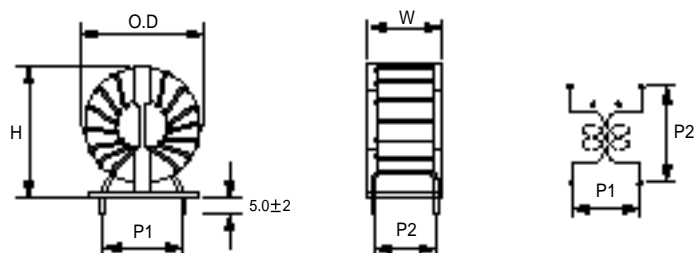
LFOR 3022 V - 01 300



Custom made coils with different inductance and rated current available on request.

Standard Types

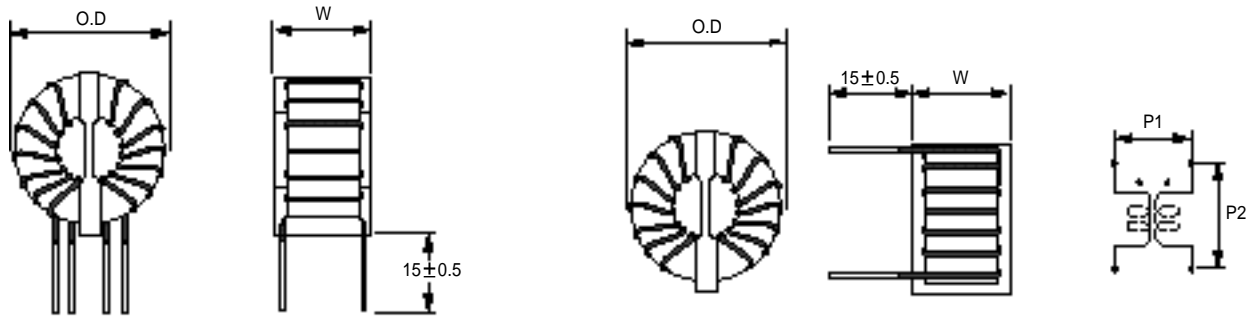
(unit : mm)



Model	Rated Current (A)	Inductance Min.(mH)	DCR Max. (mΩ)	Temp.Rise Max. (deg.)	O.D Max. (mm)	W.Max. (mm)	P1.Max. (mm)	P2.Max. (mm)	Wire Size (mφ)
LFOR2500V-05010	5	1	50	45	30	22	18	16	08
LFOR2500V-05020	5	2	70	45	34	22	18	16	08
LFOR2500V-05030	5	3	70	45	34	22	18	16	08
LFOR2500V-05050	5	5	80	60	34	22	18	16	08
LFOR2500V-05080	5	8	90	60	34	22	18	16	08
LFOR2500V-10010	10	1	20	45	35	22	18	16	1.3
LFOR2500V-15005	15	0.5	8	45	34	22	18	16	1.5
LFOR2500V-15010	15	1	12	50	35	22	18	16	1.5
LFOR2500V-02440	2	44	300	45	34	22	18	16	1.6
LFOR2500V-04290	4	29	150	55	34	22	18	16	0.8
LFOR2500V-05150	5	15	100	55	34	22	18	16	0.9

Standard Type

(unit : mm)



Model	Rated Current (A)	Inductance Min.(mH)	DCR Max. (mΩ)	Temp.Rise Max. (deg.)	O.D Max. (mm)	W.Max. (mm)	P1.Max. (mm)	P2.Max. (mm)	Wire Size (m φ)
LFOR2000V-02010	2	1	110	45	23	14	7	10	0.6
LFOR2000V-02020	2	2	110	45	23	18	10	19	0.6
LFOR2000V-02030	2	3	100	45	27	20	10	19	0.6
LFOR2000V-02050	2	5	100	45	27	20	10	19	0.6
LFOR2000V-05010	5	1	50	45	25	18	10	19	0.8
LFOR2000V-05020	5	2	70	45	32	22	18	21	0.8
LFOR2000V-05050	5	5	80	50	34	22	18	21	0.8
LFOR2000V-05080	5	8	85	60	34	22	18	21	0.8
LFOR2000H-10010	10	1	20	45	34	22	22	21	1.3
LFOR2000H-10020	10	2	28	45	47	27	30	30	1.3
LFOR2000H-15050	15	0.5	20	50	35	22	20	22	1.5
LFOR2000H-15010	15	1	20	60	36	25	22	21	1.5
LFOR1600V-01050	1	5	150	45	175	14	8	13	0.4
LFOR1600V-02020	2	2	70	45	175	14	8	13	0.5
LFOR1600V-02030	1	2	85	45	175	14	8	13	0.5
LFOR1600V-03006	3	0.6	30	45	175	14	8	13	0.6
LFOR1600V-03010	3	1	35	45	175	14	8	13	0.6