

LARGE ALUMINUM ELECTROLYTIC CAPACITORS



HU Snap-in Terminal Type, Long Life Series

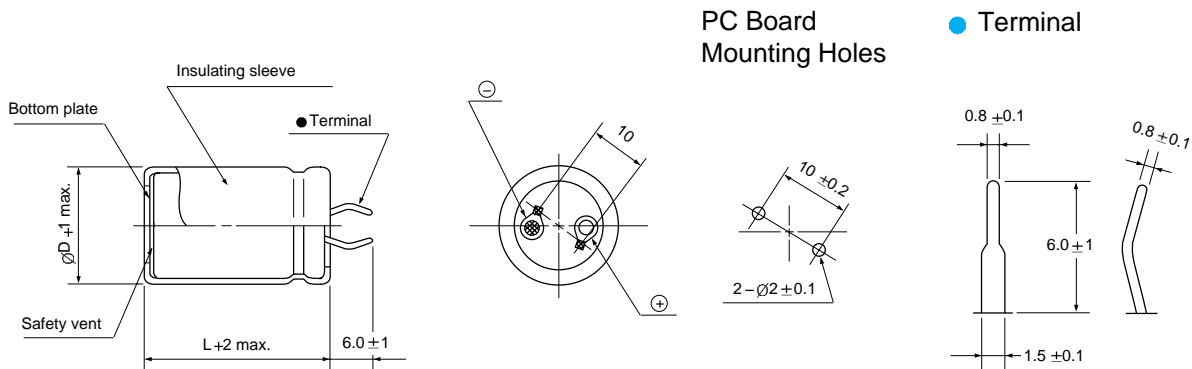
- Long life guaranteed for 5000 hours load life at 105°C
- Voltage range of 200~450V
- Suited for use in high reliability equipment



Item	Characteristics													
Operating temperature range	WV ≤400 : -40 ~ +105°C, WV=450 : -25 ~ +105°C													
Capacitance tolerance	±20% at 120Hz, 20°C													
Leakage current max.	$I=3\sqrt{CV}$ (µA) (after 5 minutes)													
Dissipation factor max. (at 120Hz, 20°C)	Capacitance > 1000µF : tan δ increases by 0.01 for each 1000µF from below value.													
	<table border="1"> <thead> <tr> <th>WV</th> <th>200</th> <th>250</th> <th>315</th> <th>350</th> <th>400</th> <th>450</th> </tr> </thead> <tbody> <tr> <td>tan δ</td> <td>0.15</td> <td>0.15</td> <td>0.15</td> <td>0.15</td> <td>0.15</td> <td>0.20</td> </tr> </tbody> </table>	WV	200	250	315	350	400	450	tan δ	0.15	0.15	0.15	0.15	0.15
WV	200	250	315	350	400	450								
tan δ	0.15	0.15	0.15	0.15	0.15	0.20								
Load life	After an application of DC bias voltage plus the rated AC ripple current for 5000 hours at 105°C The measurement shall meet the following limits.													
	Leakage current	Less than specified value												
	Capacitance change	Within ±25% of initial value												
Shelf life (at 105°C)	tan δ	Less than 250% of specified value												
	After 1000 hours no load test, leakage current, capacitance and tan δ are same as load life value.													

● DRAWING

Unit : mm



PC Board Mounting Holes

● Terminal

● DIMENSIONS & MAXIMUM PERMISSIBLE RIPPLE CURRENT

µF \ WV	200	250	315	350	400	450
47						22 × 30 0.29
56					22 × 25 0.40	25.4 × 25 0.32
68					25.4 × 25 0.48	25.4 × 30 0.38
82			22 × 25 0.48	22 × 25 0.48	25.4 × 25 0.53	30 × 30 0.45
100			22 × 30 0.57	25.4 × 25 0.59	25.4 × 30 0.62	30 × 30 0.50
120			25.4 × 25 0.64	25.4 × 30 0.68	30 × 25 0.70	30 × 30 0.55
150		22 × 25 0.68	30 × 25 0.78	25.4 × 30 0.76	30 × 30 0.83	35 × 30 0.66
180		22 × 30 0.79	30 × 25 0.86	25.4 × 35 0.88	35 × 30 0.98	35 × 35 0.76
220	22 × 25 0.82	25.4 × 30 0.96	30 × 30 1.00	30 × 35 1.06	35 × 30 1.08	35 × 40 0.88
270	25.4 × 25 1.00	25.4 × 35 1.13	35 × 30 1.20	30 × 40 1.23	35 × 35 1.26	35 × 45 1.01
330	25.4 × 30 1.18	30 × 30 1.28	35 × 30 1.33	35 × 35 1.40	35 × 40 1.46	35 × 50 1.17
390	25.4 × 35 1.35	30 × 35 1.47	35 × 35 1.52	35 × 40 1.59	35 × 45 1.66	
470	25.4 × 40 1.56	35 × 30 1.65	35 × 40 1.74	35 × 45 1.82	35 × 50 1.89	
560	30 × 35 1.76	35 × 35 1.89	35 × 45 1.98	35 × 50 2.06		
680	30 × 40 2.03	35 × 40 2.18	35 × 50 2.27			
820	35 × 35 2.29	35 × 45 2.50				
1000	35 × 35 2.53	35 × 50 2.87				
1200	35 × 40 2.69					
1500	35 × 50 3.25					

Ripple current (A rms) at 105°C, 120Hz
Case size ØD × L (mm)