

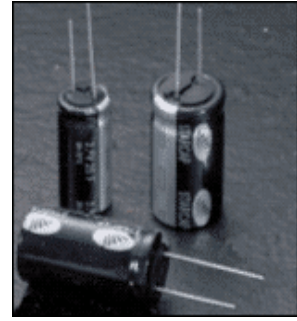
Series DR

Features

- Small size but large capacity
- 70 1000hr

Applications

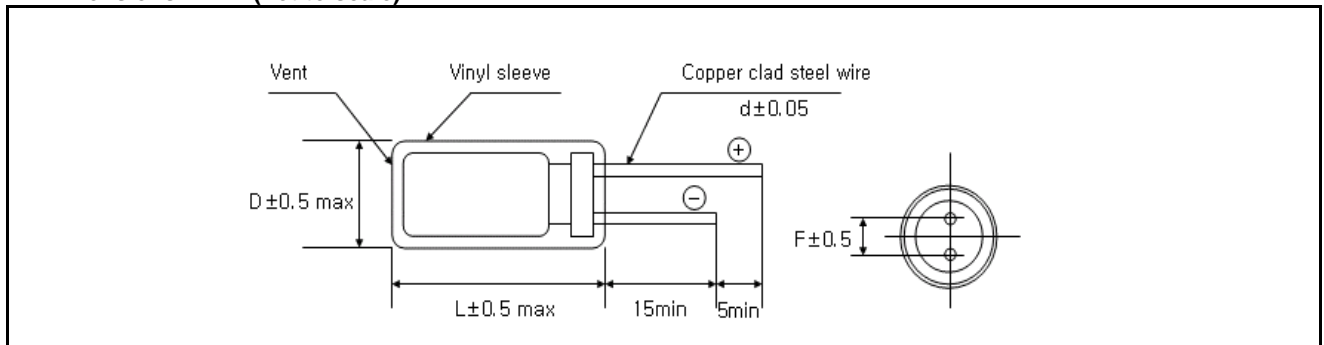
- Solar battery circuit (e.g. Traffic stop sign "LED type", Road guidance flasher)
- Quick charge motor drive through quick charge (e.g. Toy car)
- Drive for motors and electromagnetic coils. (Toys, Portable PC, Power toothbrushes)



Specifications

Items	Characteristics
Operating temperature	-25 to +70
Rated working voltage	2.5VDC
Nominal Cap. range	5 to 100F
Capacitance tolerance	-20% to +80%(at 25)
Low temperature(-25) characteristics	Capacitance change : 50% of initial measured value at +25 Internal resistance : 300% times of initial specified value at +25
Endurance	Capacitance change : ±30% of initial measured value Internal resistance : 400% times of initial specified value (After 1000hours application of rated DC working voltage at +70 ,the capacitor shall meet the following limits.)
Shelf life	After 1000hours storage at +70 without load, the capacitor shall meet the specified limit for "Life"

Dimensions in mm(not to scale)



Dimensions in mm(not to scale)

Part Number	Operating Voltage (V)	Capacitance (F)	ESR(, @1kHz)	DxL (mm)
SCDR2R5105	2.5	1	0.400	8 x 13
SCDR2R5305		3	0.160	8 x 20
SCDR2R5335		3.3	0.160	8 x 20
SCDR2R5505		5	0.140	8 x 25
SCDR2R5705		7	0.120	10 x 20
SCDR2R5106		10	0.100	10 x 25
SCDR2R5156		15	0.080	12.5 x 25
SCDR2R5256		25	0.060	16 x 25
SCDR2R5356		35	0.040	16 x 35
SCDR2R5706		70	0.030	18 x 40
SCDR2R5147		140	0.025	22 x 45
SCDR2R7105		2.7	1	0.200
SCDR2R7305	3		0.080	8 x 20
SCDR2R7335	3.3		0.080	8 x 20
SCDR2R7505	5		0.075	8 x 25
SCDR2R7705	7		0.070	10 x 20
SCDR2R7106	10		0.060	10 x 25
SCDR2R7156	15		0.050	12.5 x 25
SCDR2R7256	25		0.040	16 x 25
SCDR2R7356	35		0.030	16 x 35
SCDR2R7706	70		0.020	18 x 40
SCDR2R7147	140		0.015	22 x 45